

TILT-IN SPACE SHOWER CRADLE



OrchidMedicare



BACAWAY



Polygiene®



Easy control reclining action gives the patient maximum comfort



T. 01482 820 333

E. sales@orchid-medicare.co.uk

www.orchid-medicare.co.uk



TILT-IN SPACE SHOWER CRADLE

Designed to assist

The Orchid Tilt-in-Space Shower Cradle is a solution designed to streamline personal care and enhance the showering experience for the end user. The tilting function gives the option of an upright or tilted seating position, and the sides of the mesh along the frame are padded to maximise comfort.

Optional accessories available such as a fully adjustable and removable foot rest, thoracic supports and hip supports. This cradle is available in both an adult and child size, and the option of either a manual or electronic tilt action, both of which provide a tilting angle between 75° and 35°. Aperture available, and sits comfortably over our commode facility.

OPTIONAL ACCESSORIES



Delta Head Rest



Side & Hip Supports



Washing Aperture



Side Support Rolls

View our full range of accessories on our website: www.orchid-medicare.co.uk

TECHNICAL DATA

No specialist cleaning required due to our BacAway anti-bacterial powder coating, just use a proprietary cleaning solution.

Maximum User Weight 28st

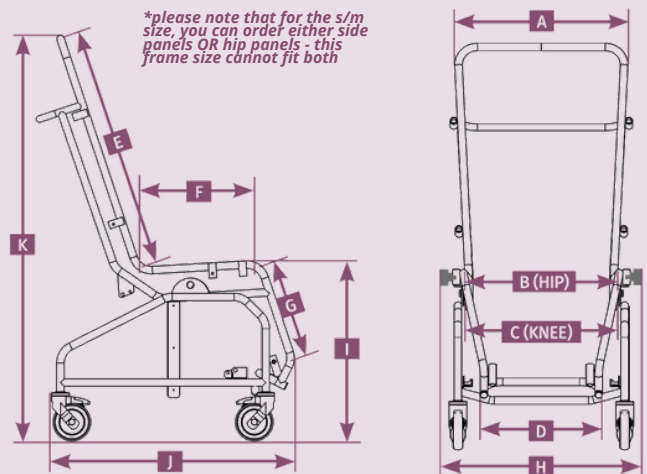
The Mesh & Straps are Manufactured From 100% Polyester

Do Not Wash at Temperatures Above 71°C

Do Not Dry Clean

Do Not Use Bleach of Any Kind

Dimensions	S/M*	M/L
A (back width)	557mm	573mm
B (hip)	455mm	510mm
C (knee)	495mm	540mm
D (foot)	405mm	405mm
E (back length)	612mm	812mm
F (thigh)	355mm	405mm
G (calf)	260mm	355mm
H (overall width)	670mm	670mm
I (seat height)	580mm	580mm
J (overall length upright)	920mm	1010mm
K (overall height)	1160mm	1320mm
Reclined Length	1200mm	1480mm



- Frame has an anti-bacterial powder coating finish which does not degrade effectiveness over time
- Castor tested to 100 hours salt spray test
- Upholstery is hard wearing, easy to clean and meets current legislations regarding fire retardant material
- The sides of the mesh along the frame are padded to maximise comfort
- ISO:9001:2015 accreditation; Made in the UK



OrchidMedicare



Head office:

Copenhagen Road, Sutton Fields Industrial Estate, Hull, East Yorkshire, HU7 0XQ
T. 01482 820 333 | E. sales@orchid-medicare.co.uk | www.orchid-medicare.co.uk