

# PAEDIATRIC TILT-IN SPACE

## SHOWER CRADLE



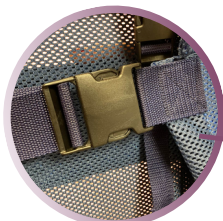
OrchidMedicare



BACAWAY



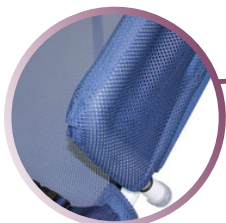
Polygiene®



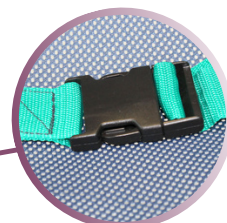
- Rear tension adjustable straps



- Easy to use tilt action control with smooth & reliable operation



- Detachable side & hip panels for additional security



- Sewn-in adjustable safety belt



- Antimicrobial coated mesh



- Dual gas spring assembly



- Heavy duty castors with easy to use brakes, made from high grade materials

Easy control reclining action gives the patient maximum comfort



T. 01482 820 333

E. sales@orchid-medicare.co.uk

[www.orchid-medicare.co.uk](http://www.orchid-medicare.co.uk)



# PAEDIATRIC TILT-IN SPACE SHOWER CRADLE

Designed to assist



The Paediatric Tilt-in-Space Shower Cradle is a solution designed to streamline personal care and enhance the showering experience for the end user. The tilting function gives the option of an upright or tilted seating position, and the sides of the mesh along the frame are padded to maximise comfort.

Optional accessories available such as a fully adjustable and removeable foot rest, thoracic supports and hip supports. This cradle is available in a paediatric friendly size and the option of either a manual or electronic tilt action, both of which provide a tilting angle between 75° and 35°. Aperture available, and sits comfortably over our commode facility.

## OPTIONAL ACCESSORIES



Delta Head Rest



Side & Hip Supports



Washing Aperture



Side Support Rolls

View our full range of accessories on our website: [www.orchid-medicare.co.uk](http://www.orchid-medicare.co.uk)

## TECHNICAL DATA

No specialist cleaning required due to our BacAway anti-bacterial powder coating, just use a proprietary cleaning solution.

Maximum User Weight 28st

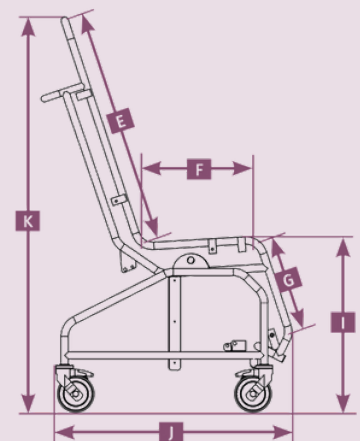
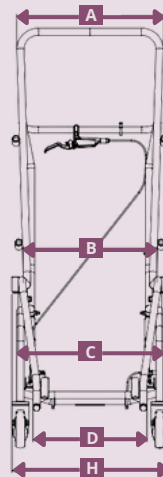
Cradle Weight - 30.83kg (S) 33.65kg (M) 37.89kg (L)

The Mesh & Straps are Manufactured From 100% Polyester

Do Not Wash at Temperatures Above 71°C

Do Not Dry Clean or Use Bleach

| Dimensions                 | Small  | Medium | Large  |
|----------------------------|--------|--------|--------|
| A (back width)             | 395mm  | 443mm  | 507mm  |
| B (hip)                    | 356mm  | 425mm  | 464mm  |
| C (knee)                   | 389mm  | 430mm  | 496mm  |
| D (foot)                   | 395mm  | 395mm  | 395mm  |
| E (back length)            | 695mm  | 760mm  | 925mm  |
| F (thigh)                  | 345mm  | 375mm  | 470mm  |
| G (calf)                   | 500mm  | 500mm  | 500mm  |
| H (overall width)          | 542mm  | 542mm  | 542mm  |
| I (seat height)            | 575mm  | 588mm  | 577mm  |
| J (overall length upright) | 818mm  | 821mm  | 820mm  |
| K (overall height)         | 1220mm | 1305mm | 1458mm |
| Reclined Length            | 1157mm | 1227mm | 1383mm |



- Frame has an anti-bacterial powder coating finish which does not degrade effectiveness over time
- Castor tested to 100 hours salt spray test
- Upholstery is hard wearing, easy to clean and meets current legislations regarding fire retardant material
- The sides of the mesh along the frame are padded to maximise comfort
- ISO:9001:2015 accreditation; Made in the UK



Orchid Medicare



### Head office:

Copenhagen Road, Sutton Fields Industrial Estate, Hull, East Yorkshire, HU7 0XQ  
T. 01482 820 333 | E. [sales@orchid-medicare.co.uk](mailto:sales@orchid-medicare.co.uk) | [www.orchid-medicare.co.uk](http://www.orchid-medicare.co.uk)