

PAEDIATRIC (MICRO)

TILT IN -SPACE SHOWER CRADLE



OrchidMedicare



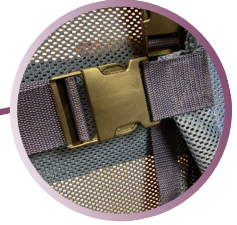
BACAWAY



Polygiene®



- Easy to use tilt action control with smooth & reliable operation*



- Rear tension adjustable straps



- Detachable side for additional security



- Sewn-in adjustable safety belt



- Antimicrobial coated mesh



- Dual gas spring assembly



- Heavy duty castors with easy to use brakes, made from high grade materials



- Stainless steel frame & base transporter with a powder coat finish

Easy control reclining action gives the patient maximum comfort



T. 01482 820 333

E. sales@orchid-medicare.co.uk

www.orchid-medicare.co.uk

*for illustration purposes only



Paediatric (Micro) TILT-IN SPACE SHOWER CRADLE

Designed to assist

The Orchid Paediatric MICRO Tilt-in-Space Shower Cradle is a solution designed to streamline personal care and enhance the showering experience for the end user. The tilting function gives the option of an upright or tilted seating position, and the sides of the mesh along the frame are padded to maximise comfort.

Optional accessories available such as a fully adjustable and removable foot-rest, thoracic supports and wedge supports. This cradle is available in one size only. The manual tilt action provides a tilting angle between 75° and 35°. An aperture is also available, which sits comfortably over our commode facility.

OPTIONAL ACCESSORIES



Delta Head Rest



Side Supports



Washing Aperture



Side Support Rolls

View our full range of accessories on our website: www.orchid-medicare.co.uk

TECHNICAL DATA

No specialist cleaning required due to our BacAway anti-bacterial powder coating, just use a proprietary cleaning solution.

Maximum User Weight 28st

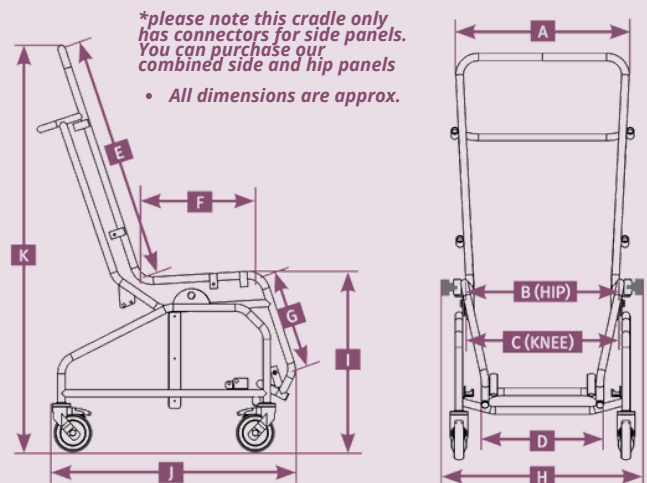
The Mesh & Straps are Manufactured From 100% Polyester

Do Not Wash at Temperatures Above 71° C

Do Not Dry Clean

Do Not Use Bleach of Any Kind

Dimensions	MICRO
A (back width)	470mm
B (hip)	427mm
C (knee)	454mm
D (foot)	405mm
E (back length)	585mm
F (thigh)	315mm
G (calf)	195mm
H (overall width)	542mm
I (seat height)	607mm
J (overall length upright)	810mm
K (overall height)	1125mm
Reclined Length	979mm



- Frame has an anti-bacterial powder coating finish which does not degrade effectiveness over time
- Castor tested to 100 hours salt spray test
- Upholstery is hard wearing, easy to clean and meets current legislations regarding fire retardant material
- The sides of the mesh along the frame are padded to maximise comfort
- ISO:9001:2015 accreditation; Made in the UK



OrchidMedicare



Head office:

Copenhagen Road, Sutton Fields Industrial Estate, Hull, East Yorkshire, HU7 0XQ
T. 01482 820 333 | E. sales@orchid-medicare.co.uk | www.orchid-medicare.co.uk